

## MODEL



3M Square



3.5M Round

## FRAME COLORS

Ral 9016

Papyrus white

☒ VEFRAMEPAPY\_UX

☒ VEFRAME350ROPAPY\_UX

Ral 1013

Beige Limestone

VEFRAMELIME\_UX

VEFRAME350ROLIME\_UX

Grey Beige

VEFRAMEGREYB\_UX

VEFRAME350ROGREYB\_UX

Earth Clay

VEFRAMEEARTH\_UX

VEFRAME350ROEARTH\_UX

Ral 9005

Black

VEFRAMEBLACK\_UX

VEFRAME350ROBLACK\_UX

## FABRIC COLORS

Natural



☒ VE300COVERNAT\_UX

☒ VE350ROCOVERNAT\_UX

Canvas



VE300COVERCANV\_UX\_R

VE350ROCOVERCANV\_UX

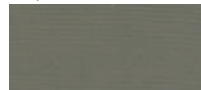
Grey



VE300COVERGREY\_UX

VE350ROCOVERGREY\_UX

Taupe



VE300COVERTAUPE\_UX

VE350ROCOVERTAUPE\_UX

Marble



☒ VE300COVERMARB\_UX

☒ VE350ROCOVERMARB\_UX

Sand



VE300COVERSAND\_UX\_R

VE350ROCOVERSAND\_UX

Flanelle



VE300COVERFLAN\_UX

VE350ROCOVERFLAN\_UX

Black



VE300COVERBLACK\_UX

VE350ROCOVERBLACK\_UX

## BASES

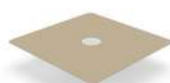
### TOPPLATE



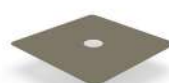
RAL 9018 - Papyrus white  
PAPYBASETOPPLATEUX



RAL 1013 - Beige limestone  
LIMEBASETOPPLATEUX



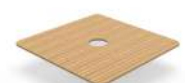
Grey Beige  
GREYBBASETOPPLATEUX



Earth Clay  
EARTHBASETOPPLATEUX



RAL 9005 - Black  
BLACKBASETOPPLATEUX



Thermo poplar\*  
WOODBASETOPPLATEUX

### BASE FRAME



RAL 9018 - Papyrus white  
PAPYBASEFRAMEUX



RAL 1013 - Beige limestone  
LIMEBASEFRAMEUX



Grey Beige  
GREYBBASEFRAMEUX



Earth Clay  
EARTHBASEFRAMEUX

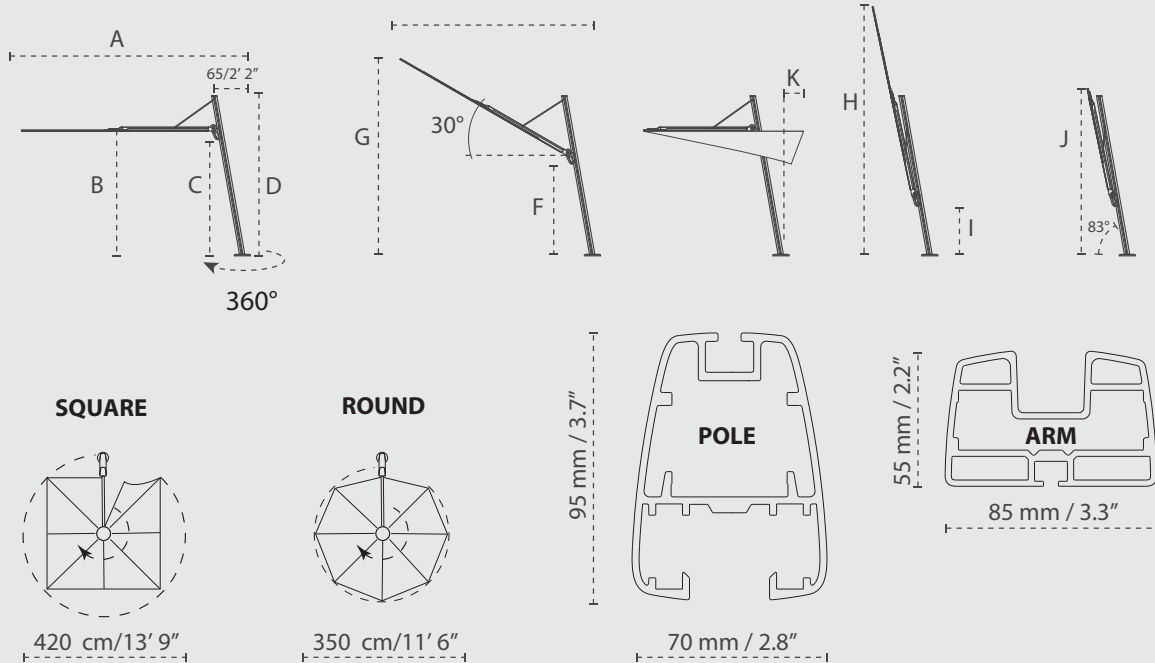


RAL 9005 - Black  
BLACKBASEFRAMEUX

\*Our UX wooden covers are made of thermotreated poplar wood that has not been treated for color stability. The wood will weather with outdoor exposure and turn grey.

## DIMENSIONS

### VERSA PX



|   |                           | A           | B         | C         | D         | E         | F         | G          | H           | I        | J         | K     |
|---|---------------------------|-------------|-----------|-----------|-----------|-----------|-----------|------------|-------------|----------|-----------|-------|
|   |                           | cm/ft       | cm/ft     | cm/ft     | cm/ft     | cm/ft     | cm/ft     | cm/ft      | cm/ft       | cm/ft    | cm/ft     | cm/ft |
| ☒ | 3 x 3 m / 9' 10" x 9' 10" | 365/11' 12" | 195/6' 5" | 185/6' 1" | 260/8' 6" | 280/9' 2" | 128/4' 2" | 325/10' 8" | 410/13' 5"  | 77/2' 6" | 265/8' 8" | 0/0"  |
| ⊗ | 3,5 m / 11' 6"            | 380/12' 6"  | 195/6' 5" | 185/6' 1" | 260/8' 6" | 295/9' 8" | 128/4' 2" | 340/11' 2" | 425/13' 11" | 77/2' 6" | 280/9' 2" | 0/0"  |

## DIMENSIONS BASE

Wheelset included

Recommended weight for tiles : 177 kg or 389.4 lbs

Recommended tiles Europe – 40x40x4,5 cm // USA – 16"x16"x1.75"

You need 12 tiles for the Large Tile Base UX – see manual.



| Base dimensions        | L x W x H cm | L x W x H ft        | weight kg/lbs |
|------------------------|--------------|---------------------|---------------|
| Powder coated topplate | 88,8x88,8x22 | 34.96"x34.96"x8.66" | 32/70.4       |
| Wood topplate          | 88,8x88,8x24 | 34.96"x34.96"x9.45" | 32/70.4       |

## MATERIALS



### FABRIC

Colorum – 100% Acryl 260 gr/m<sup>2</sup>  
 Solidum - 100% Acryl 250 gr/m<sup>2</sup>  
 More details – see spec sheet  
 Fabrics



### RIBS

Glass fiber ribs - Ø 16mm/0.63"



### POLE

Aluminum,  
 powder coated



### HANDLES

Casted aluminum, powder coated  
 Stainless steel 316, polished



### BASE FRAME

Galvanised steel, powder coated  
 RAL 9018 Papyrus White, RAL 9005  
 Black, RAL 1013 Limestone Beige,  
 Earth Clay, Grey Beige



### BASE TOPPLATE

Galvanised steel, powder coated  
 RAL 9018 Papyrus white, RAL 9005 Black, RAL 1013  
 Limestone Beige, Earth Clay, Grey Beige  
 Wooden cover Thermo Poplar\*

\*Our UX wooden covers are made of thermotreated poplar wood that has not been treated for color stability. The wood will weather with outdoor exposure and turn grey.

## NICE TO KNOW

- Spare parts available
- Designed and manufactured in Belgium
- Warranty between 15 and 2 years, see Warranty Sheet
- Manual included
- Wind speeds up to 5 beaufort, 30km/h, 18 mph when base is permanently fixed

### SAFETY STATEMENTS & WARNINGS

- Product is suitable for light wind and/or light rain only.
- Position product in direction of wind as recommended in user manual.
- Do not use product in inclement weather, such as strong wind, thunderstorms, heavy rain or snow, and make sure that the umbrella is closed and stored in advance.
- Never allow the umbrella to flap in the wind. This could cause personal injury, damage to personal property, damage to umbrella and/or umbrella canopy.
- Close product and secure strap when not in use.
- Do not use product without its base or unless attached to building structure, and keep umbrella secured to umbrella base or mount at all times.
- Do not use product over or near harsh chemicals or open flames.
- Place product on stable and level surface.
- Do not allow children to assemble or operate product.
- Do not leave product unattended.
- Store product indoors during winter and extreme weather conditions.
- When adjusting or assembling the umbrella or umbrella base, make sure fingers, toes or any other parts of the body are clear from moving parts. Failing to do so may result in serious injury.
- Only use Umbrosa replacement parts.
- Read owner's manual.
- Any modifications to the product or failure to follow recommended care will void the warranty.
- Wind damage is not covered under our limited warranty.

The content of this document, in particular the mentioned models, is protected by copyrights and/or design rights. The present document and its content is communicated to you for information purposes only. Any partial or total reproduction or any other use without our prior written permission is strictly prohibited. This technical sheet remains subject to possible changes. Of course we do our best to eliminate all mistakes, but Umbrosa is not responsible for the errors in the documentation of products. All measurements are approximate and are provided for informational purposes only.