



# JCP.1 SERIES

- ✓ Full aluminum frame.
- ✓ Light, compact and strong.
- ✓ Push up system.
- ✓ Ideal for (large) projects, smaller terraces or along the pool.
- ✓ Belgian design.

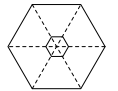
A perfect match for any project around the world and outdoor umbrellas that blend in seamlessly with the environment. Caractère One Series surprises thanks to its sturdiness. With a canopy incline of 10°, the umbrella looks enormously flat, has a sleek line and an elegant touch. You open the umbrella by a push up hub system until the slider clicks into place automatically and features user friendliness and durability. One Series is available in three sizes, five frame colours and unlimited canopy possibilities.



JCP.101  
200 x 200 cm



JCP.102  
230 x 230 cm

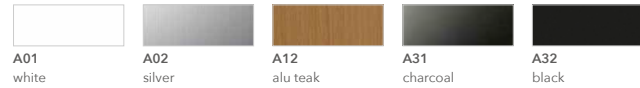


JCP.103  
ø 275 cm

<b>FRAME</b>	Center pole umbrella with push-up system. Pole and ribs are aluminium powder coated. Pole profile: 40 x 40 x 1,5 mm, 1,6 x 1,6 x 0,06". Ribs profile: 22 x 22 x 1,6 mm, 0,9 x 0,9 x 0,06".
<b>CANOPY</b>	320g/m <sup>2</sup> Sunbrella® Plus, 100% solution dyed acrylic. 🕒 Fast stock: canopies available on stock.
<b>BASE</b>	Hot galvanized and powder coated steel plates.
<b>TILT &amp; ROTATION</b>	Not applicable.
<b>WIND SPEED</b>	43 km/h, 26.7 mph - Maximum wind speed to which the umbrella may be exposed.

jardinico®  
CARACTÈRE

FRAME



CANOPY

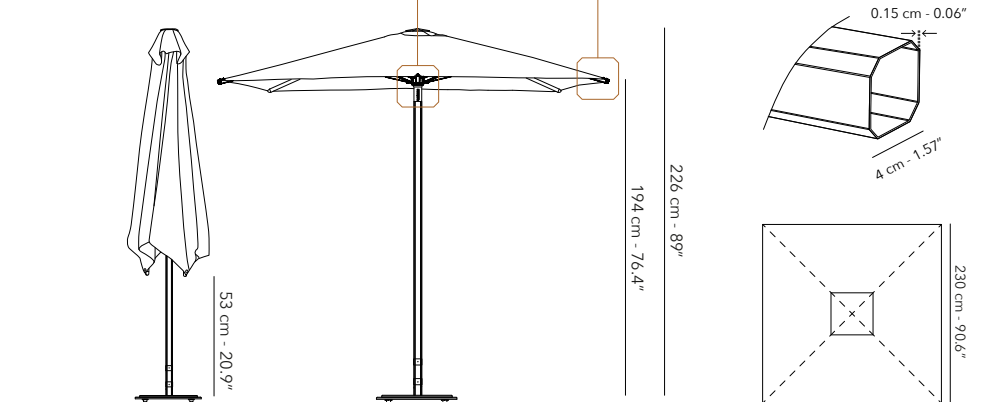


\*Only fast stock in combination with A32 frame.

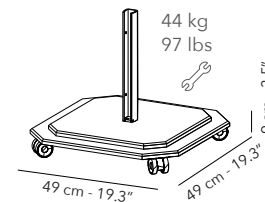
JCP.102 - 230 x 230 cm	Weight net	Weight gross	Packaging CBM / CCF	Units
UMBRELLA FRAME & CANOPY	17 kg 37.5 lbs	20 kg 44.1 lbs	227 x 17 x 17 cm 89.4 x 6.7 x 6.7"	1
UFJCP.102 FRAME ONLY INCL. PROTECTION COVER	12 kg 26.5 lbs	13 kg 28.7 lbs	227 x 17 x 17 cm 89.4 x 6.7 x 6.7"	1
UCJCP.102 CANOPY ONLY	1.9 kg 4.2 lbs	2.4 kg 5.3 lbs	39 x 39 x 16.5 cm 15.4 x 15.4 x 6.5"	1
UBJCP.1S-44KG BASE	44 kg 97 lbs	49 kg 108 lbs	52 x 52 x 9 cm 20.5 x 20.5 x 3.5"	1
UBJCP.1S-65KG BASE	65 kg 143 lbs	70 kg 154.3 lbs	52 x 52 x 9 cm 20.5 x 20.5 x 3.5"	1
UPJCP.1S-X77 PROTECTION COVER	0.8 kg 1.8 lbs	1 kg 2.2 lbs	17 x 48 x 4 cm 6.7 x 18.9 x 1.6"	1

Push-up hub system

LOXX® system



All dimensions do not include the parasol base.  
\* LOXX® to easily attach and remove the canopy from the frame.



PARASOLVOET - SOCLE

- Base with four wheels that rotate 360°, each with a brake to secure the umbrella.
- Has the same colour as the frame. For a frame in alu teak, we provide a charcoal base.

# MAINTENANCE

To enhance the durability and appearance, we recommend following our care instructions regularly.

The umbrella should never be used in strong wind or rainy conditions. An open umbrella should never be left unattended. The umbrella should be protected against blurring or damage by using its protection cover. The protection cover can be placed over the umbrella and pole. Store the umbrella in a dry place when not in use.

## FRAME & BASE

Clean the aluminium frame with a damp cloth, mild soap and water. Do not use any sharp tool to avoid scratches.

## CANOPY



Before use, you can apply an invisible film to make the canopy stain and water repellent by using a textile protector. You can maintain and clean your canopy by following a few simple steps:

- Brush off loose dirt before it becomes embedded in the fabric.
- Hose down.
- Spot clean soon after stains occur with water and mild soap or a textile cleaner (no detergents). Use a soft bristle brush to clean.
- Allow soap to soak in.
- Rinse thoroughly.
- Always let the canopy air dry completely before storing or covering.

Machine wash in cold water. Depending on wash load size, use normal amounts of mild laundry detergent and add 1 cup of bleach. Allow fabric to air dry.

NEVER SUBJECT TO EXCESSIVE HEAT, STEAM PRESS OR TUBLE DRY AS THE FABRIC WILL SHRINK.



		Weight net	Weight gross	Packaging CBM / CCF	Units
	<b>SPCOR-12ML CORRECTOR PEN</b> A01 white, A03 linen, A11 taupe, A31 charcoal or A32 black	48 g 0.11 lbs	53 g 0.12 lbs	3 x 7 x 3 cm 1.2 x 2.8 x 1.2"	1
	<b>PT000388 FABRIC MAINTENANCE KIT</b> Includes 2 scrubbing sets, 3 application cloths, textile protector 750 ml, textile cleaner 750 ml	1.7 kg 3.7 lbs	1.9 kg 4.2 lbs	21 x 28 x 10.5 cm 8.3 x 11 x 4.2"	1